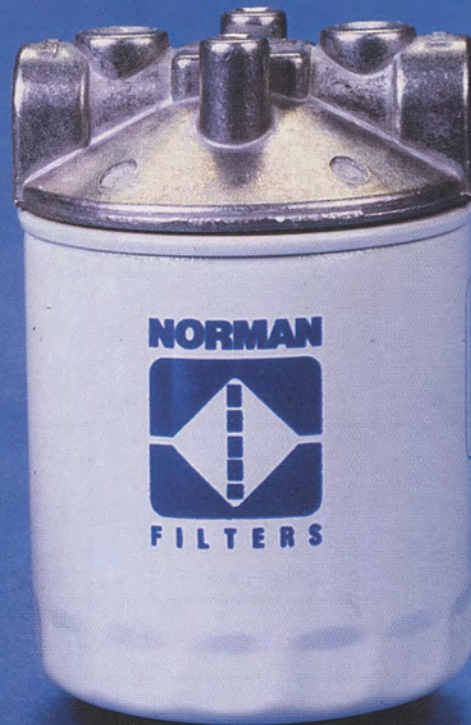


# Norman 2000 Series Spin-On Filters



- 200 PSI
- 10 thru 40 Micron
- 7 gpm Return
- 2 gpm Suction

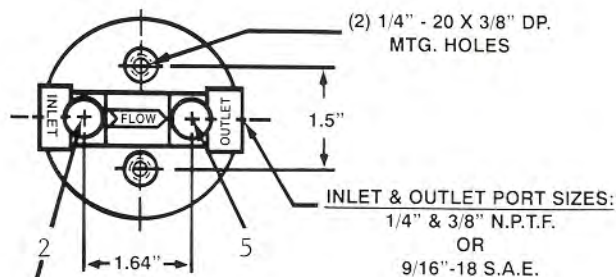


**NORMAN FILTER COMPANY, L.L.C.**  
PHONE: 708-233-5521 • FAX: 708-430-5961

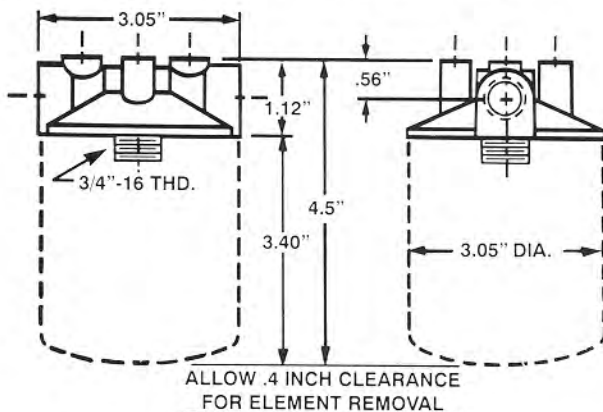
**Flows Up To:** 7 GPM (Return) 2 GPM (Suction)  
**Port Sizes:**

- 1/4" NPTF
- 3/8" NPTF
- 9/16" - 18 UN (SAE - 6)

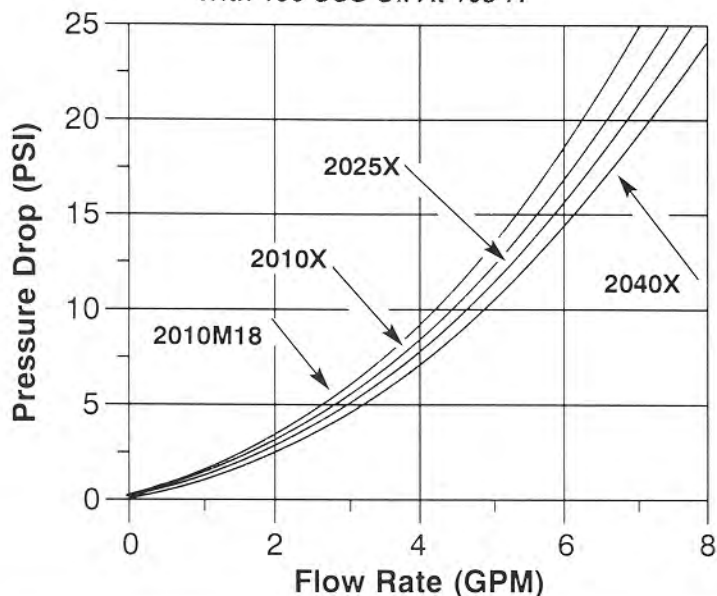
**Pressure:** 200 PSI Max. Operating  
**Temperature:** -65 to +250°F. Operating  
**Applications:** Petroleum based fluids only.  
 Consult factory for synthetic fluids.



1/8" N.P.T.F. GAUGA PORTS (OPTIONAL)  
 INLET PRESSURE LOCATION: 2 (RETURN LINE)  
 OUTLET PRESSURE LOCATION: 5 (SUCTION LINE)



**Average Pressure Drop Thru Clean Filter Assembly With 150 SUS Oil At 105°F.**



**How To Order:**

**Filter Head: 20**

| Code | Inlet & Outlet Ports  | Code | Gauge Port Location |
|------|-----------------------|------|---------------------|
| 4N   | 1/4" NPTF             | 0    | No Port Required    |
| 6N   | 3/8" NPTF             | 2    | Return Line         |
| 6S   | 9/16" - 18 UN (SAE-6) | 5    | Suction Line        |

| Element Number             | 20100      | 201018     | 201025     | 202510     | 202525     | 204018     | 2010M18    |
|----------------------------|------------|------------|------------|------------|------------|------------|------------|
| <b>Diameter</b>            | 3.05"      | 3.05"      | 3.05"      | 3.05"      | 3.05"      | 3.05"      | 3.05"      |
| <b>Mounting Thread</b>     | 3/4" - 16  | 3/4" - 16  | 3/4" - 16  | 3/4" - 16  | 3/4" - 16  | 3/4" - 16  | 3/4" - 16  |
| <b>Micron Rating</b>       | 10 NOM.    | 10 NOM.    | 10 NOM.    | 25 NOM.    | 25 NOM.    | 40 NOM.    | 10 NOM.    |
| <b>Avg. Beta</b>           | 2          | 2          | 2          | 2          | 2          | 2          | 75         |
| <b>By-Pass Valve</b>       | None       | 18 PSI     | 25 PSI     | 10 PSI     | 25 PSI     | 18 PSI     | 18 PSI     |
| <b>Can Color / Imprint</b> | White/Teal | White/Teal | White/Teal | White/Teal | White/Teal | White/Teal | White/Teal |



**NORMAN FILTER COMPANY, L.L.C.**  
 9850 SOUTH INDUSTRIAL DRIVE  
 BRIDGEVIEW, ILLINOIS 60455  
 PHONE: 708-233-5521  
 FAX: 708-430-5961  
 EMAIL: SALES@NORMANFILTERS.COM  
 WWW.NORMANFILTERS.COM

DISTRIBUTED BY: