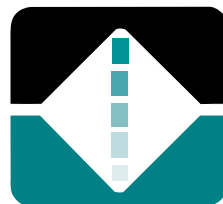
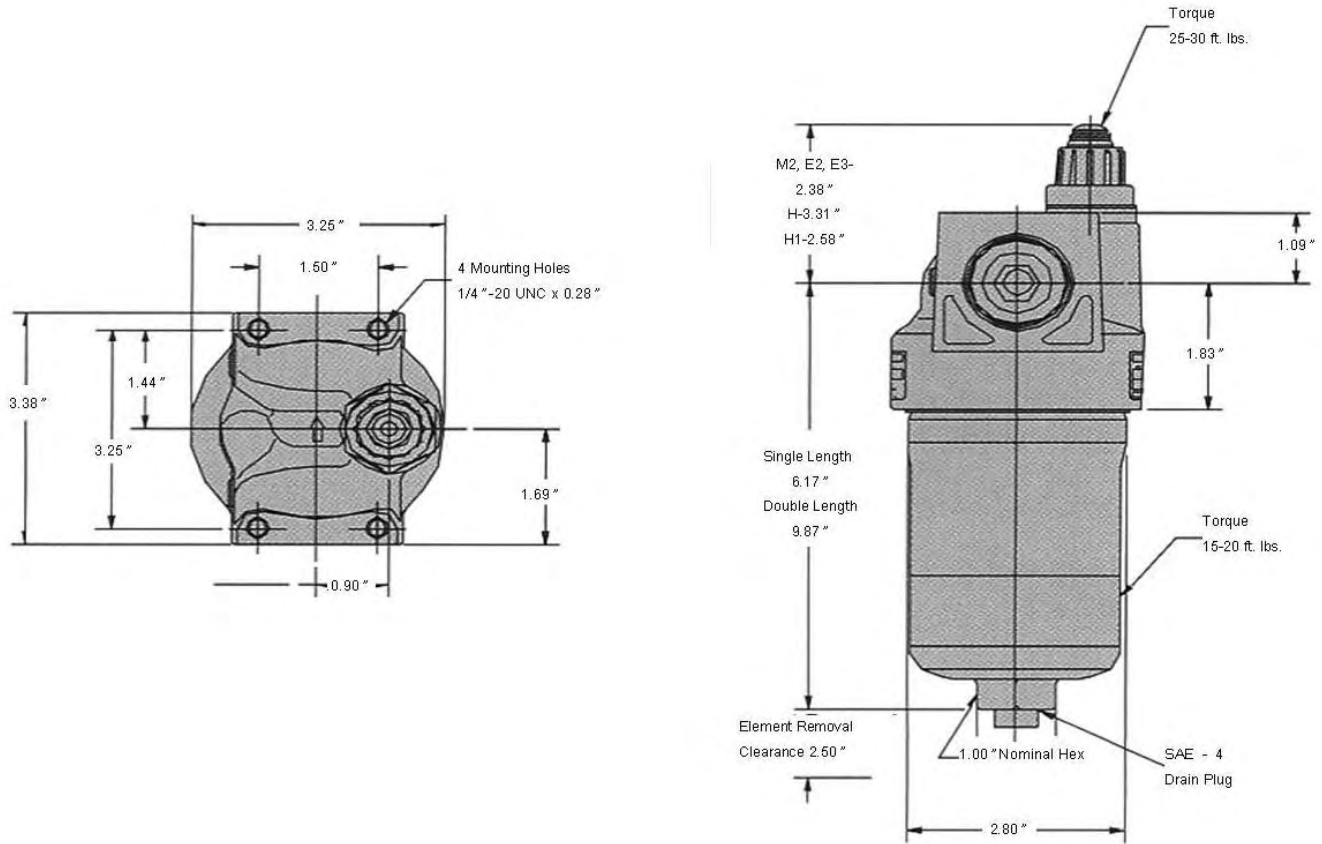


# Norman 3000 Series T-Type Filters 0-800 psi 0-150 gpm



NORMAN FILTER COMPANY, L.L.C.  
PHONE: 708-233-5521 • FAX: 708-430-5961  
Sales@NormanFilters.com • www.NormanFilters.com



**HOW TO ORDER:**

**30 LF**

CODE	DESCRIPTION
1	Single Length
2	Double Length

PORT SIZE	
CODE	DESCRIPTION
12N	3/4 NPT
12S	SAE-12
16N	1 NPT
16S	SAE-16

MICRON RATING	
CODE	DESCRIPTION
10A	10 Mic. Cellulose
2M	2 Mic. Microglass
5M	5 Mic. Microglass
10M	10 Mic. Microglass
20M	20 Mic. Microglass

O-RINGS	
CODE	DESCRIPTION
E	Ethylene Propylene -65° to 300° F
K	90 Duro Nitrile -40° to 250° F
L	Nitrile -40° to 250° F
M	Teflon -320° to 400° F
N	Viton -15° to 275° F

INDICATORS	
CODE	DESCRIPTION
E8	Electrical with 1/2" conduit connection
E12	Electrical with wire leads
EH	Electrical/Visual with DIN connection
EB	Electrical/Visual with 3-pin connection
NO	No indicator or bypass
O	No indicator with bypass
V	Visual with auto reset

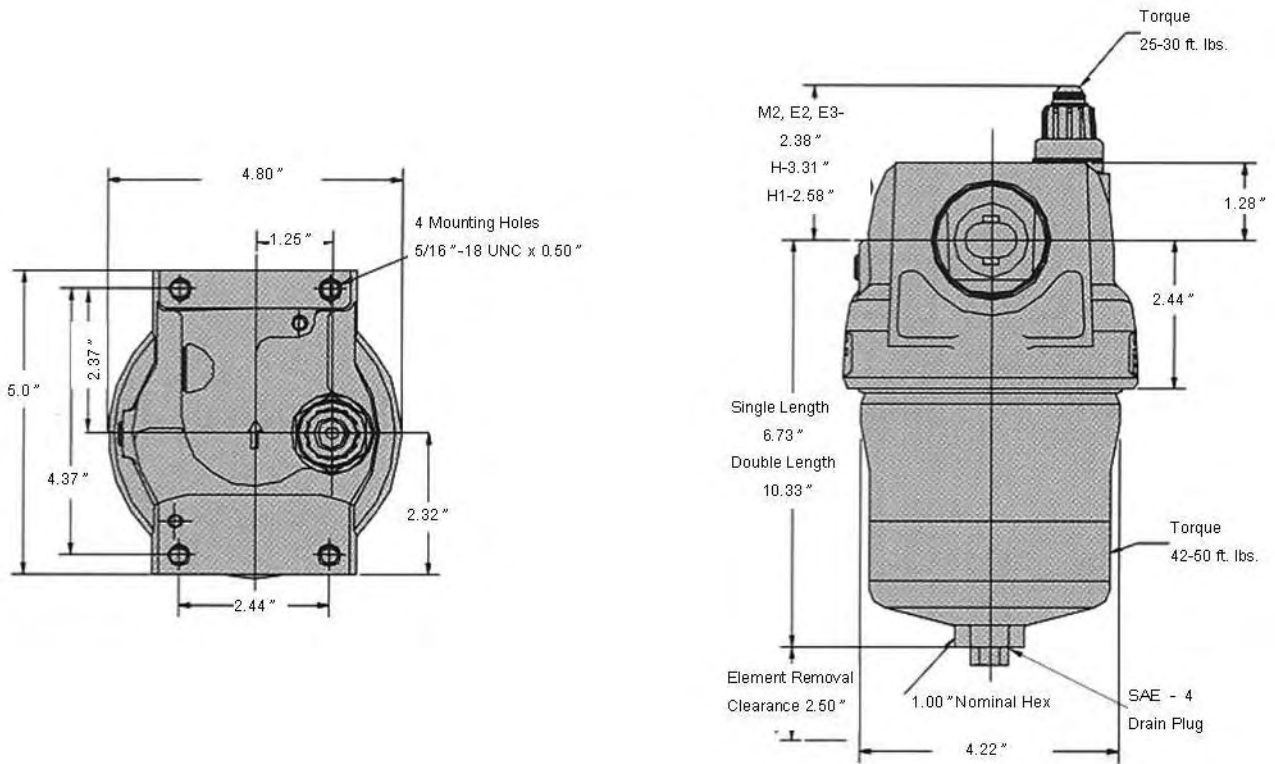
INDICATOR SETTING	
CODE	DESCRIPTION
0	None
25	25 PSI
50	50 PSI

BYPASS	
CODE	DESCRIPTION
0	None
R25	25 PSI
R50	50 PSI

BOWL DRAIN	
CODE	DESCRIPTION
DR1	1/8 NPT
DR2	1/4 NPT
DR3	1/8 SAE
DR4	1/4 SAE

LF Housing and LF-1 and LF-2 Elements are shown on pages 5,6, and 7





HOW TO ORDER:

30 MF

CODE	DESCRIPTION
1	Single Length
2	Double Length

PORT SIZE	
CODE	DESCRIPTION
16N	1 NPT
16S	SAE-16
24N	1 1/2 NPT
24S	SAE-24

MICRON RATING	
CODE	DESCRIPTION
10A	10 Mic. Cellulose
2M	2 Mic. Microglass
5M	5 Mic. Microglass
10M	10 Mic. Microglass
20M	20 Mic. Microglass
15AQF	15 Mic. Microglass Water Absorbing

O-RINGS	
CODE	DESCRIPTION
E	Ethylene Propylene -65° to 300° F
K	90 Duro Nitrile -40° to 250° F
L	Nitrile -40° to 250° F
M	Teflon -320° to 400° F
N	Viton -15° to 275° F

INDICATORS	
CODE	DESCRIPTION
E8	Electrical with 1/2" conduit connection
E12	Electrical with wire leads
EH	Electrical/Visual with DIN connection
EB	Electrical/Visual with 3-pin connection
NO	No indicator or bypass
O	No indicator with bypass
V	Visual with auto reset

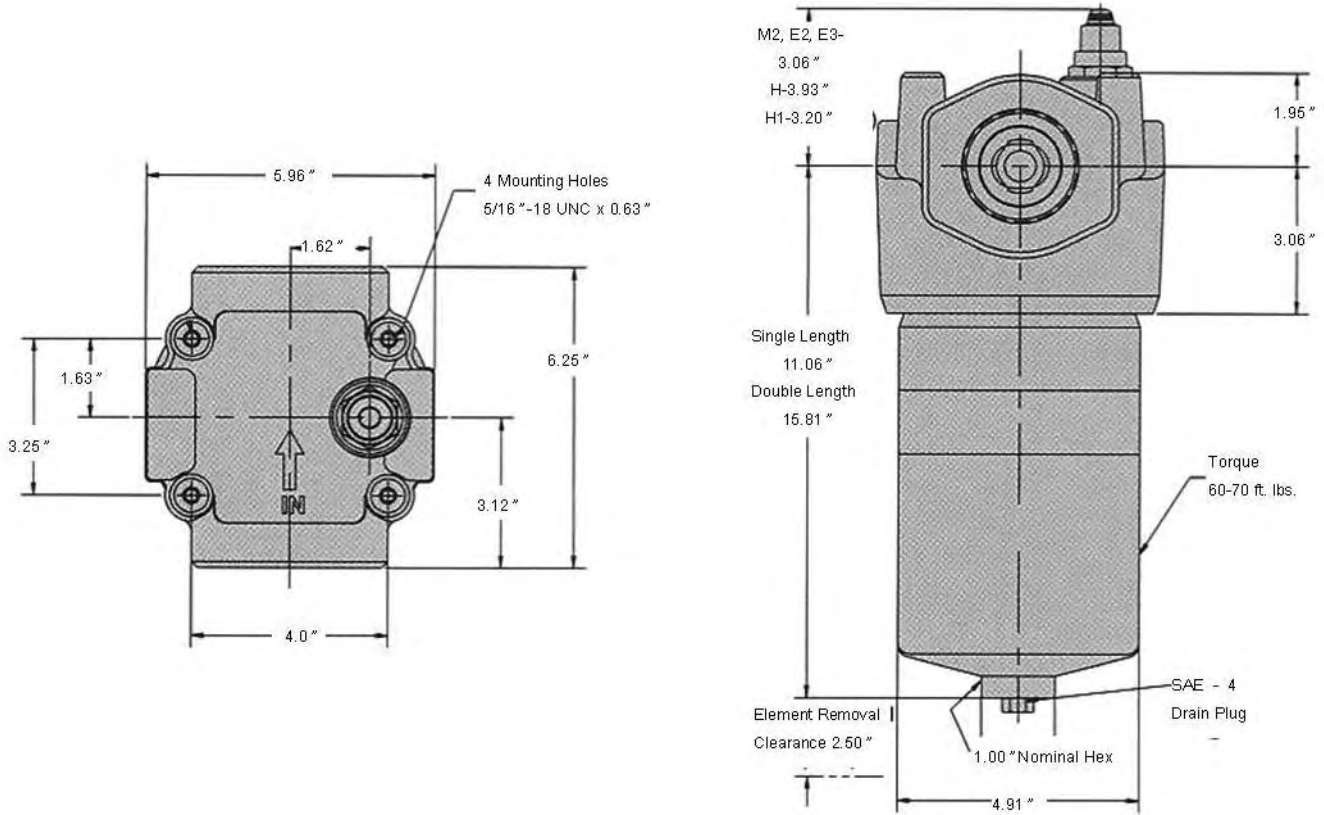
INDICATOR SETTING	
CODE	DESCRIPTION
0	None
25	25 PSI
50	50 PSI

BYPASS	
CODE	DESCRIPTION
0	None
R25	25 PSI
R50	50 PSI

BOWL DRAIN	
CODE	DESCRIPTION
DR1	1/8 NPT
DR2	1/4 NPT
DR3	1/8 SAE
DR4	1/4 SAE

MF Housing and MF-1 and MF-2 Elements are shown on pages 5, 6, and 7





**HOW TO ORDER:**

**30 HF**

CODE	DESCRIPTION
1	Single Length
2	Double Length

PORT SIZE	
CODE	DESCRIPTION
24N	1½ NPT
24S	SAE-24
32N	2 NPT
32S	SAE-32
32F	Flange Face SAE-32

MICRON RATING	
CODE	DESCRIPTION
10A	10 Mic. Cellulose
2M	2 Mic. Microglass
5M	5 Mic. Microglass
10M	10 Mic. Microglass
20M	20 Mic. Microglass
15AQF	15 Mic. Microglass Water Absorbing

O-RINGS		
CODE	DESCRIPTION	
E	Ethylene Propylene	-65° to 300° F
K	90 Duro Nitrile	-40° to 250° F
L	Nitrile	-40° to 250° F
M	Teflon	-320° to 400° F
N	Viton	-15° to 275° F

INDICATORS	
CODE	DESCRIPTION
E8	Electrical with 1/2" conduit connection
E12	Electrical with wire leads
EH	Electrical/Visual with DIN connection
EB	Electrical/Visual with 3-pin connection
NO	No indicator or bypass
O	No indicator with bypass
V	Visual with auto reset

INDICATOR SETTING	
CODE	DESCRIPTION
0	None
25	25 PSI
50	50 PSI

BYPASS	
CODE	DESCRIPTION
0	None
R25	25 PSI
R50	50 PSI

BOWL DRAIN	
CODE	DESCRIPTION
DR1	1/8 NPT
DR2	1/4 NPT
DR3	1/8 SAE
DR4	1/4 SAE

HF Housing and HF-1 and HF-2 Elements are shown on pages 5,6, and 8



# ELEMENT SPECIFICATIONS

P/N	BETA RATIO 2/20/75	D.H.C.	COLLAPSE
30LF1 3A	3/7/10	2	150
10A	6/16/19	2	150
2M	.5/1/2	6	350
5M	2/3/5	5.5	350
10M	4/7/10	5	350
20M	8/14/20	4	350
30LF2 3A	3/7/10	3	150
10A	6/16/19	3	150
2M	.5/1/2	16	350
5M	2/3/5	14	350
10M	4/7/10	12.5	350
20	8/14/20	10	350

Multi-pass test per ANSI/B93.31-1973.  
DHC @ 100 PSID.

P/N	BETA RATIO 2/20/75	D.H.C.	COLLAPSE	W.H.C.
30MF1 3A	3/7/10	10	150	N/A
10A	8/18/21	12	150	N/A
15AQF	8/11/15	23	150	2.50 oz.
2M	.5/1/2	33	150	N/A
5M	2/3/5	27	150	N/A
10M	4/7/10	26	150	N/A
20M	8/14/20	27	150	N/A
30MF2 3A	3/7/10	14	150	N/A
10A	8/18/21	16	150	N/A
15AQF	8/11/15	45	150	4.75 oz.
2M	.5/1/2	51	150	N/A
5M	2/3/5	51	150	N/A
10M	4/7/10	54	150	N/A
20M	8/14/20	53	150	N/A

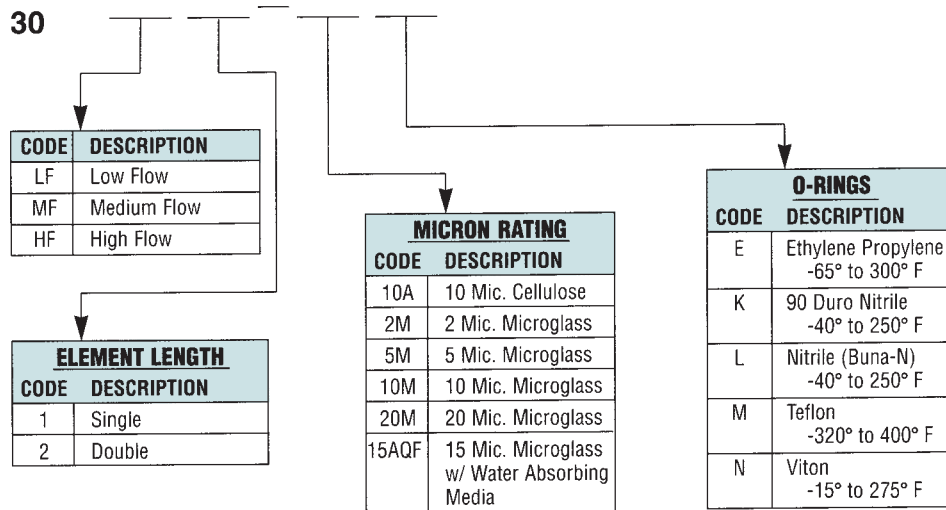
P/N	BETA RATIO 2/20/75	D.H.C. (Grams)	COLLAPSE	W.H.C. (Ounces)
30HF1 3A	3/7/10	25	150	N/A
10A	8/18/21	28	150	N/A
15AQF	8/11/15	61	150	7.75 oz.
2M	.5/1/2	78	150	N/A
5M	2/3/5	70	150	N/A
10M	4/7/10	70	150	N/A
20M	8/14/20	71	150	N/A
30HF2 3A	3/7/10	43	150	N/A
10A	8/18/21	46	150	N/A
15AQF	8/11/15	101	150	13 oz.
2M	.5/1/2	112	150	N/A
5M	2/3/5	116	150	N/A
10M	4/7/10	104	150	N/A
20M	8/14/20	118	150	N/A

- WIRE REINFORCED MEDIA**

Helps to prevent media migration, pleating collapse and maintains media efficiency.
- ZINC DICHROMATE HARDWARE**

Corrosion resistant with excellent adhesion characteristics to prevent separation.

## HOW TO ORDER:



# 3000 SERIES HOUSING

## HOUSING FEATURES

APPLICATIONS
Compressor Lube Oil Systems
Hydrostatic Drive Charge Pumps
Injection Molding
Machine Tools (Automotive Standard)
Mobile Equipment
Off-line Filter Loops
Oil Patch Drilling Equipment
Pilot Lines for Servo Controls

## SPECIFICATIONS: 3000 Series

### Materials:

Head and Bowl: Aluminum  
 Indicators: Aluminum body, plastic connectors  
 Bypass: Nylon

### Pressure Ratings:

Maximum Allowable Operating Pressure (MAOP): 1000 psi (69 bar)  
 Rated Fatigue Pressure: 800 psi (55.2 bar)  
 Design Safety Factor: 2.5:1

### Operating Temperatures:

Buna: -40°F (-40°C) to 225°F (107°C)  
 Fluorocarbon: -15°F (-26°C) to 275°F (135°C)

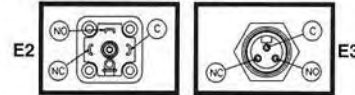
### Element Collapse Rating:

Standard: 150 psi (10.3 bar)

### Element Condition Indicators:

Visual 360° green/red auto reset  
 Electrical/Visual

5A @ 240VAC, 3A @ 28VDC



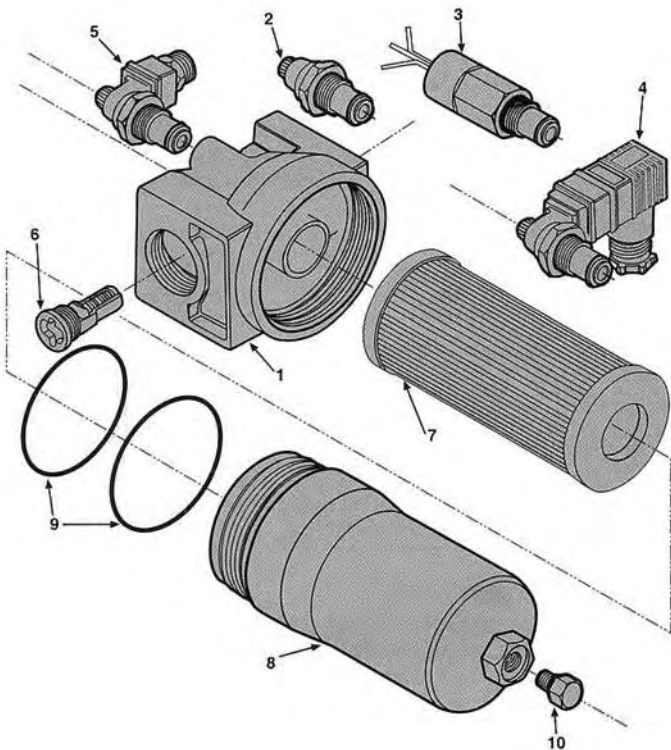
### Electrical-Heavy Duty

.25A(resistive) MAX 5 watts  
 12 to 28 VDC & 110 to 175 VAC

**Color code:** White (common), Black (normally open),  
 Blue (normally closed)

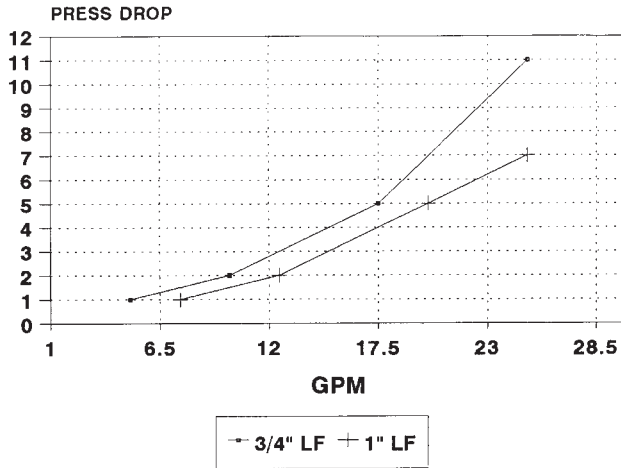
### Weights (approximate):

Model	Single length	Double length
30LF	2.5 lb.	3.5 lb.
30MF	4.5 lb.	5.5 lb.
30HF	12.4 lb.	15.2 lb.

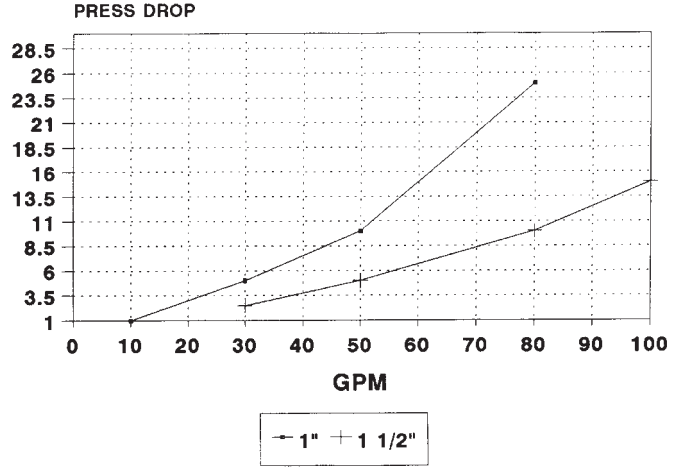


# LF/MF HOUSING & ELEMENTS

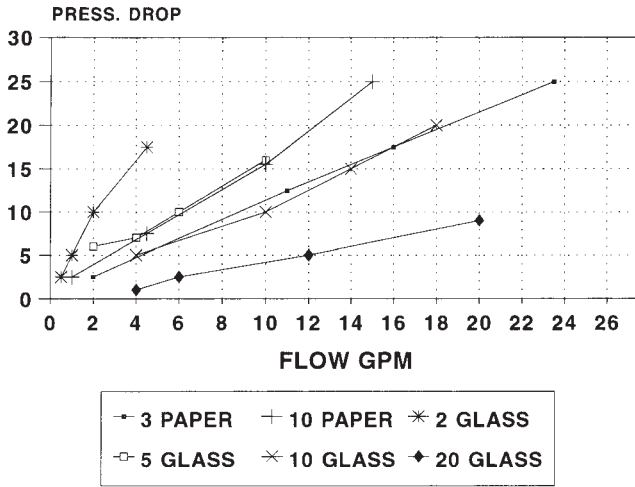
## LF HOUSING ONLY



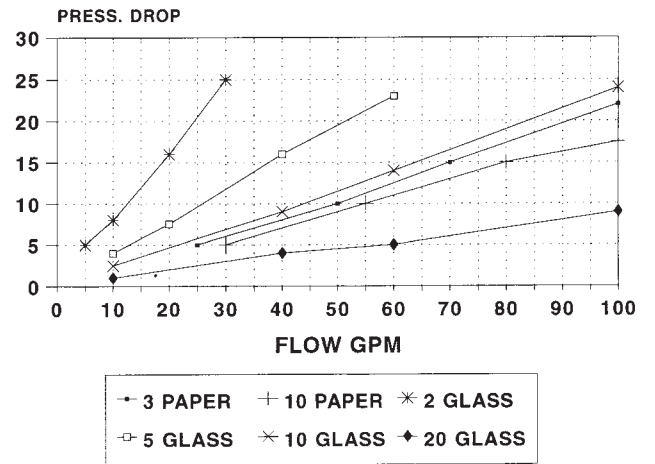
## MF HOUSING ONLY



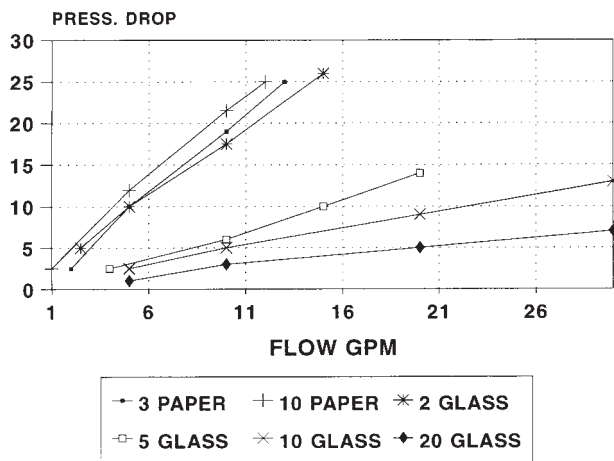
## LF-1 HOUSING ONLY



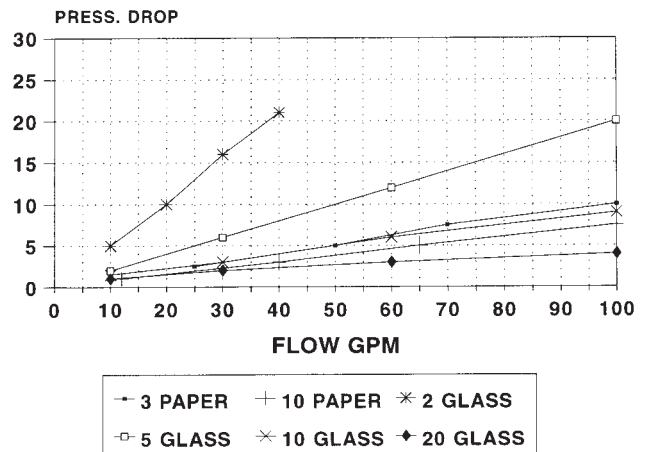
## MF-1 HOUSING ONLY



## LF-2 HOUSING ONLY

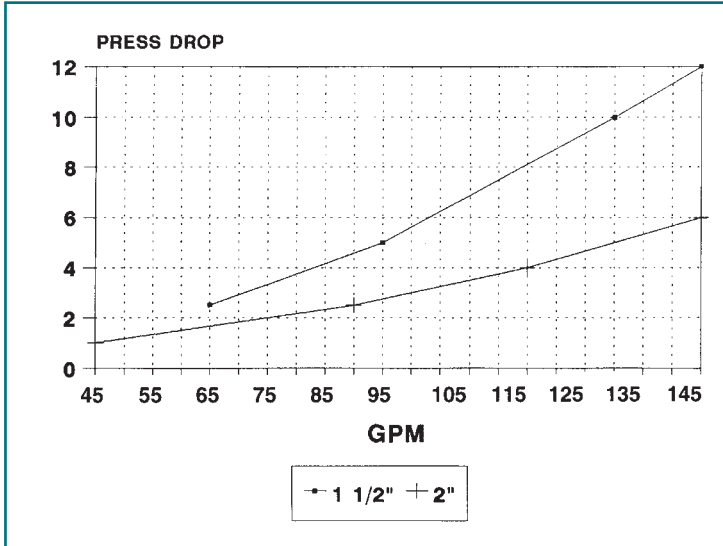


## MF-2 HOUSING ONLY

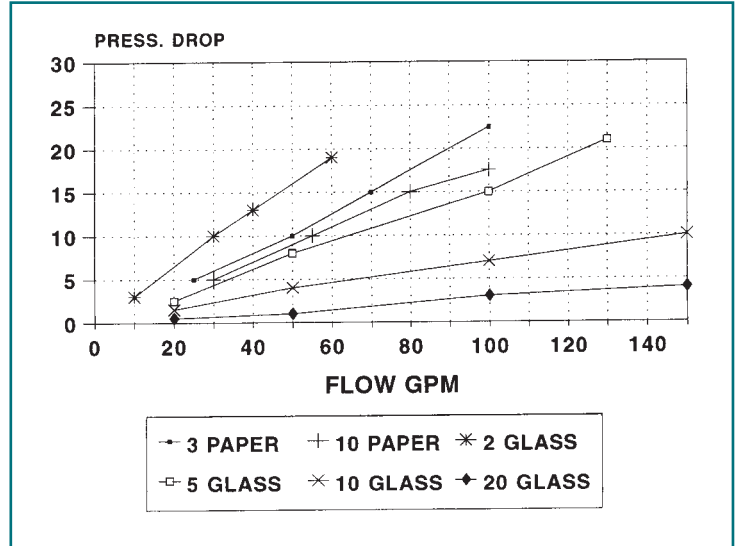


# HF HOUSING & ELEMENTS

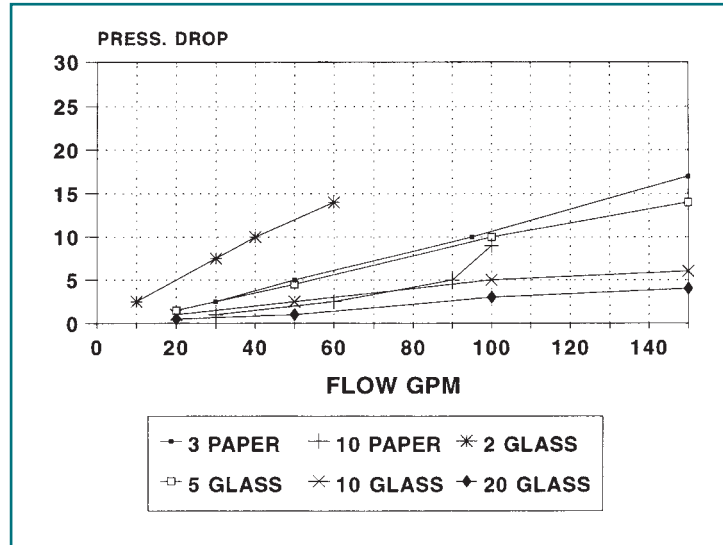
## HF HOUSING ONLY



## HF1 ELEMENTS



## HF2 ELEMENTS



### NORMAN FILTER COMPANY, L.L.C.

9850 SOUTH INDUSTRIAL DRIVE  
 BRIDGEVIEW, ILLINOIS 60455  
 PHONE: 708-233-5521  
 FAX: 708-430-5961  
 EMAIL: SALES@NORMANFILTERS.COM  
 WWW.NORMANFILTERS.COM

DISTRIBUTED BY: