

# Norman 3100 Series Duplex Filter

**Up to  
75 GPM**

- **Filter Change-Out without System Down-time**
- **Microglass, Cellulose, Water Absorbing**



**NORMAN FILTER COMPANY, L.L.C.**  
PHONE: 708-233-5521 • FAX: 708-430-5961

# NORMAN 3100 SERIES

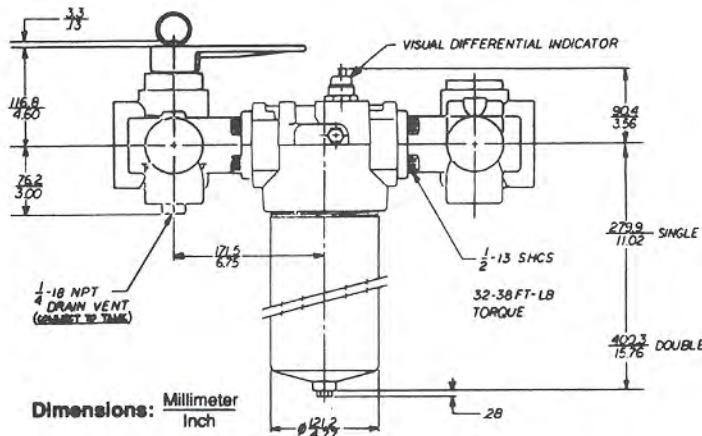
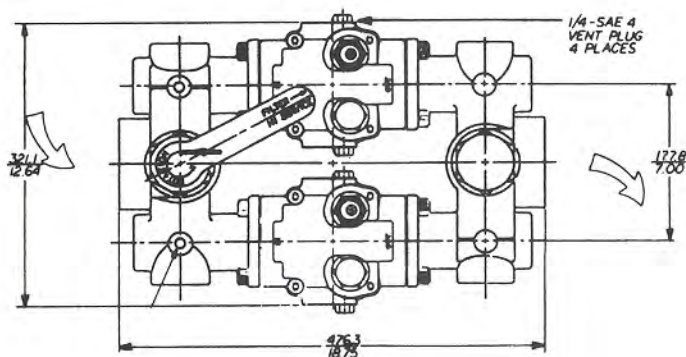
Norman's 3100 series duplex filter is designed to allow for filter change-out without downtime. Constructed of anodized aluminum, this lightweight filter assembly is capable of flows up to 75 gpm (284 lpm) and pressures up to 300 psi (20 bar). The manual changeover valve features automatic pressure balancing between the two housings, and requires only 25 ft-lbs. of torque at maximum operating pressure.

## Applications:

- Low pressure hydraulic and lube oil systems.
- Systems requiring continuous, uninterrupted operation.
- System where the cost of downtime is expensive.

## FILTER & VALVE SPECIFICATIONS

\*Vent Plugs Are Not Available



## HOW TO ORDER

31DP

32F

CODE	DESCRIPTION
1	Single Length
2	Double Length

CODE	DESCRIPTION
32F	Flange Face SAE-32

MICRON RATING	
CODE	DESCRIPTION
10A	10 Mic. Cellulose
2M	2 Mic. Microglass
5M	5 Mic. Microglass
10M	10 Mic. Microglass
20M	20 Mic. Microglass
15AQF	15 Mic. Microglass Water Absorbing

O-RINGS	
CODE	DESCRIPTION
E	Ethylene Propylene -65° to 300° F
K	90 Duro Nitrile -40° to 250° F
L	Nitrile -40° to 250° F
N	Viton -20° to 350° F

INDICATORS	
CODE	DESCRIPTION
E8	Electrical w/ 1/2 NPT Conduit and Wire Leads
E12	Electrical w/12" Lead Only
EH	Electrical Hirschman Style DN43650
EB	Electrical Brad Harrison 3 Pin ANSI/B93.55M
NO	No Indicator w/o BYP
O	No indicator w/BYP
V	Visual Auto Reset

INDICATOR SETTING	
CODE	DESCRIPTION
0	None
25	25 PSI
50	50 PSI

BYPASS	
CODE	DESCRIPTION
0	None
R25	25 PSI
R50	50 PSI

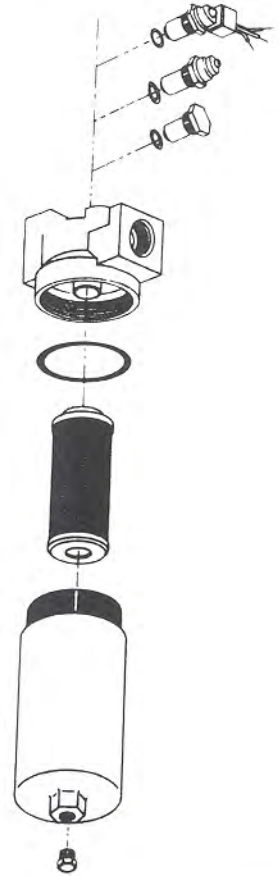
BOWL DRAIN	
CODE	DESCRIPTION
DR1	1/8 NPT
DR2	1/4 NPT
DR3	1/8 SAE
DR4	1/4 SAE



# NORMAN 3100 SERIES

## HOUSING SPECIFICATIONS

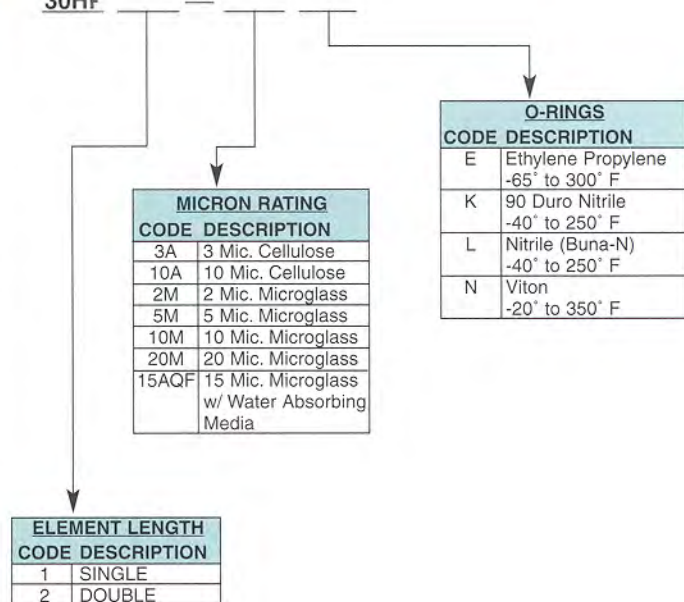
<b>Filter and Valve Construction</b>	Lightweight, Anodized aluminum
<b>Maximum Allowable Operating Pressure</b>	300 psi operating (20 bar)
<b>Operating Temperature</b>	-40° F to 225° F
<b>Indicators</b>	Wide array of visual and electrical indicators, with and without bypasses. Electrical switches rated 5A at 125/250 VAC; 7A resistive; 3A inductive at 28 VDC
<b>Color Coding</b>	Black (common); Red (N.O.); White (N.C.)
<b>Weight</b>	HF1 62 lbs. (28 kg.); HF2 67 lbs. (30kg.)
<b>Bowl Drains</b>	Allows complete drainage before servicing element
<b>Port</b>	Flange Face SAE-32



P/N	BETA RATIO 2/20/75	D.H.C. (GRAMS)	COLLAPSE	W.H.C. (OUNCES)
30HF1 10A	8/18/21	28	150	N/A
15AQF	8/11/15	61	150	7.75 OZ.
2M	.5/1/2	78	150	N/A
5M	2/3/5	70	150	N/A
10M	4/7/10	70	150	N/A
20M	8/14/20	71	150	N/A
30HF2 10A	8/18/21	46	150	N/A
15AQF	8/11/15	101	150	13 OZ.
2M	.5/1/2	112	150	N/A
5M	2/3/5	116	150	N/A
10M	4/7/10	104	150	N/A
20M	8/14/20	118	150	N/A

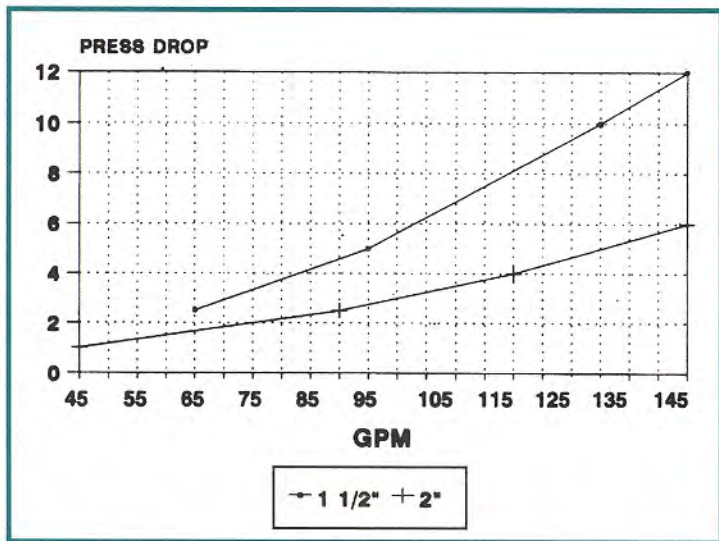
## ELEMENT HOW TO ORDER

30HF

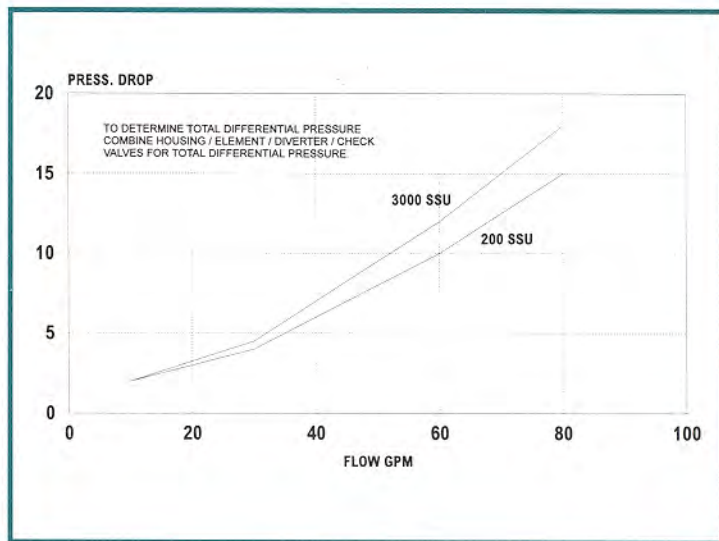


# ASSEMBLY PRESSURE DROP

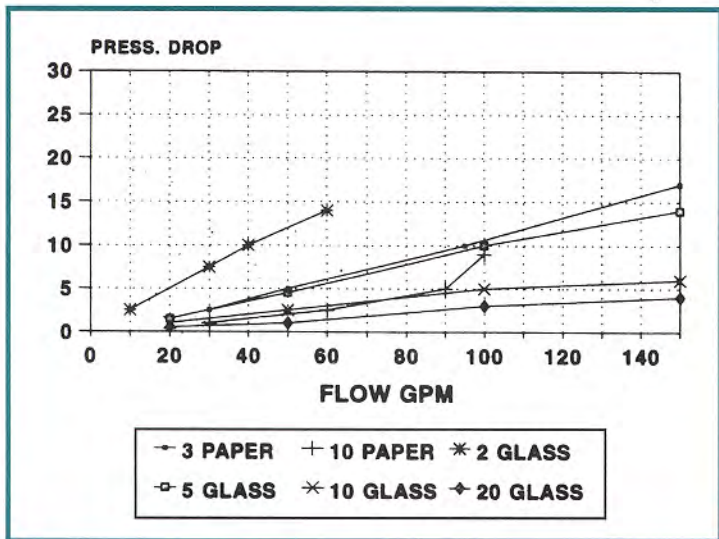
## HF HOUSING ONLY



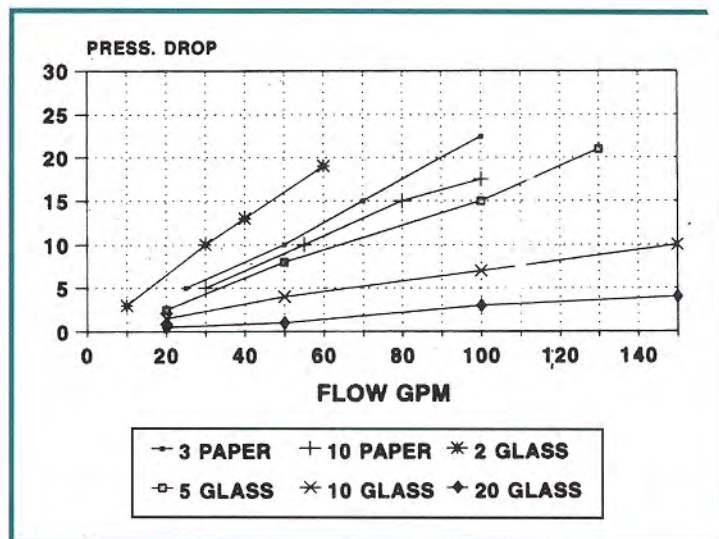
## HF DUPLEX VALVE



## HF2 ELEMENTS



## HF1 ELEMENTS



### NORMAN FILTER COMPANY, L.L.C.

9850 SOUTH INDUSTRIAL DRIVE  
BRIDGEVIEW, ILLINOIS 60455  
PHONE: 708-233-5521  
FAX: 708-430-5961  
EMAIL: SALES@NORMANFILTERS.COM  
WWW.NORMANFILTERS.COM

DISTRIBUTED BY:

